

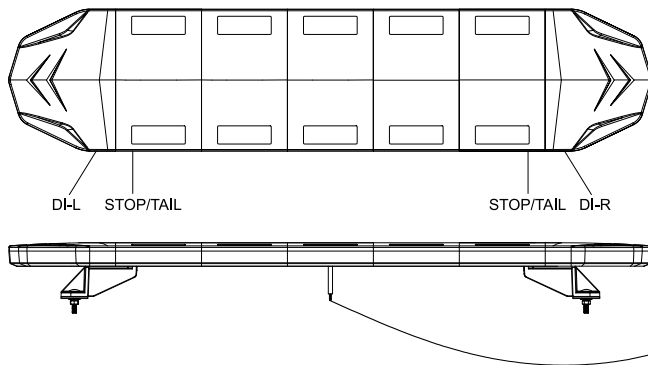
LIGHTBAR

LED LIGHTBAR

- Certificate ECE R65 ECE R148 ECE R10 SAE
- Operating temperature -40°C ~ +65°C
- Operating Voltage 10-30V



WIRING



- Red: "+ 10-30 DC
- Black: "-" GND
- Brown: For warning lamp on-off
- Orange: For Flash patterns alteration
- Blue: For Tail
- Green: For Stop
- Yellow: For DI-L
- White: For DI-R

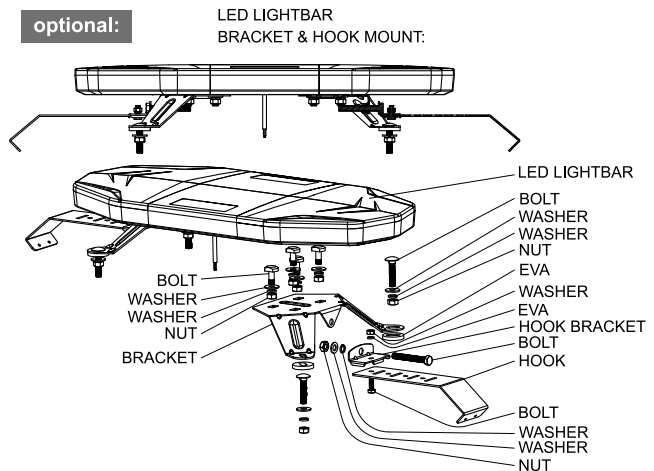
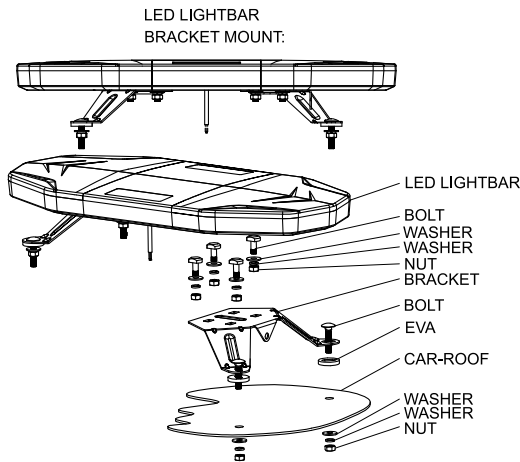
* warning lamp on-off: the brown line to + VDC

* Flash pattern: the orange line to + VDC

-Less than 1 second for the next pattern

-More than 5 seconds for the first pattern

LIGHTBAR MOUNTING



FLASH PATTERNS

#	Patterns	FPM
1	ECE R65 Single(All)	150
2	Alternate Single Flash	150
3	Single (Slow)	70
4	Alternate Single (Slow)	60
5	Alternate Flash (Quick)	430
6	Double (All)	150
7	Alternate Double (Quick)	300

#	Patterns	FPM
8	Alternate Double (Slow)	215
9	Quad (All)	85
10	Alternate Quad (Quick)	180
11	Alternate Quad	140
12	Strobe	1000
13	Running 1	200
14	Running 2	200

#	Patterns	FPM
15	Running 3	200
16	Combination 1	/
17	Combination 2	/
18	Combination 3	/
19	Tail/Stop	/
20	Indicator	/